

# Internal Combustion Pneumatic Tire Lift Trucks

Capacity: 3,000-7,000 lb





Our 3,000-7,000 lb capacity pneumatic tire lift trucks have an engineered design that delivers top horsepower and performance for exceptional productivity.

# P3000-P7000 Series

Whether you're handling industrial materials or shipping products on a tight schedule, our internal combustion pneumatic tire lift trucks work long and hard to get the job done.

Each of the models exceeds stringent Environmental Protection Agency (EPA) standards for reducing carbon monoxide (CO), hydrocarbons (HC) and nitrogen oxide (NOx) emissions, while delivering the power you need for work-horse performance. Operator comfort features, including a full suspension seat, are standard, and many high-performance packages are available to tailor your lift truck to specific application requirements. From the manufacturing headquarters in Houston, Texas, using ISO 14001 certified and independently audited quality control procedures, these lift trucks provide excellent long-term value and come with turnkey support from the industry's most trusted dealer network.

| Model  | Fuel Type     | Rated Capacity (lb) | Engine Displacement (liters) Gasoline/Diesel |
|--------|---------------|---------------------|--|
| P3000  | Gas/LP        | 3,000               | 2.1 / –                                      |
| P3500  | Gas/LP        | 3,500               | 2.1 / –                                      |
| PC4000 | Gas/LP        | 4,000               | 2.1 / –                                      |
| P4000  | Gas/LP/Diesel | 4,000               | 2.5 / 3.3                                    |
| P5000  | Gas/LP/Diesel | 5,000               | 2.5 / 3.3                                    |
| P5500  | Gas/LP/Diesel | 5,500               | 2.5 / 3.3                                    |
| P6000  | Gas/LP/Diesel | 6,000               | 2.5 / 3.3                                    |
| P6500  | Gas/LP/Diesel | 6,500               | 2.5 / 3.3                                    |
| P7000  | Gas/LP/Diesel | 7,000               | 2.5 / 3.3                                    |





Heavy-duty applications require heavy-duty machinery. Our trucks are built for powerful, rugged applications, making operator comfort and convenience all the more important.

## Operator Efficiency And Comfort

A clean, unobstructed work environment enables the operator to perform more efficiently. A generous floor area enhances operator mobility. The open-step entry with slip-resistant steel plates and an easy-to-reach elongated grab bar help facilitate cab access.

A seat-side convenience tray provides the operator with an easy to reach storage location. The convenience tray includes a metal clip board holder, cup holder, pen/pencil compartment and miscellaneous items compartment.

## Added Operator Protection

The advanced Cat Lift Trucks operator Presence Detection System (PDS) keeps your operator informed. When your operator leaves the normal seated operating position, the following occurs:

- Transmission disengages
- Power disconnects from hydraulic lift and tilt functions
- Parking brake alarm sounds if the operator has not applied the parking brake

When your operator returns to the normal seated operating position, a buzzer will sound as a reminder to fasten the seat belt.



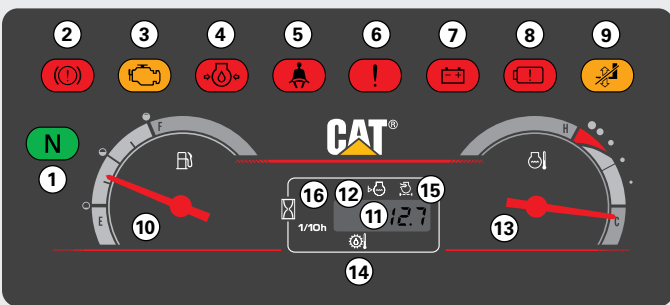
### Quietly Smooth Transmission

To reduce noise and vibration, the transmission uses helical gears and a full-floating powertrain that isolates the engine and transmission from the frame and operator compartment. In addition, a hydraulic accumulator promotes smooth starts and direction changes, fostering operator efficiency while minimizing vibration.

### Full-Suspension Seat And Tilt Steering

Comfort increases productivity. A full-suspension seat allows your operator to move in just about any direction, with forward, back, weight and lumbar adjustments. The supportive design promotes comfort by resisting shock and vibration.

A tilt steering feature offers infinite adjustability within a 12-degree range of movement to comfortably accommodate most operators. A separate lever moves the column fully forward to provide easy access to the engine compartment. Afterwards, the memory recall will automatically return the column to your operator's preferred position.



### Standard Indicator Package

The instrument panel tilts with the steer column, keeping it in the line of sight of the operator. A standard indicator package keeps the operator informed of operating conditions and includes the items to the right.

- 1 Neutral indicator
- 2 Parking brake reminder/brake fluid level
- 3 Check engine
- 4 Engine oil pressure
- 5 Seat belt warning
- 6 System warning
- 7 Alternator (battery charging)
- 8 Low LP fuel warning (standard for LP fuel only) glow plug (diesel only)
- 9 Mast/auxillary hydraulic function interlock
- 10 Fuel gauge (gasoline and diesel only)
- 11 Hour meter/diagnostic codes
- 12 Radiator level (option)
- 13 Coolant temperature level
- 14 Transmission oil temperature
- 15 Clogged air cleaner (option)
- 16 Water indicator (diesel only) (indicator not shown)

# Reliability



The powerful engine runs smoothly and quietly. Our trucks include a durable frame, powerful masts with dependable performance and a highly-efficient fuel system.

## **Prolonging Equipment Life**

With advanced on-board diagnostics, it's easier than ever to keep your trucks running at peak performance. An on-board diagnostic system controls critical lift truck functions while making it easy to troubleshoot the system using a laptop.

## **Ground Speed Control**

This feature allows you to customize the maximum travel speed of the truck to meet your application requirements without affecting overall performance. The benefits include reduced risk to pedestrian traffic, lower operating costs, enhanced engine wear protection, as well as reduced risk of damaging loads, racks and trucks.



## Productive And Durable

This truck is equipped with powerful fuel-injected purePOWER™ gasoline, LP and diesel engines providing the horsepower and torque you need for the most challenging applications. Our engines are environmentally friendly and meet or exceed EPA durability requirements. They are also computer regulated to optimize fuel efficiency. If you're looking for exceptional productivity with maximum fuel efficiency, simply engage the Fuel Saver Mode. This softens the initial acceleration of the truck and reduces fuel consumption by 14 percent while maintaining 95 percent of the truck's overall productivity.

**Everything is optimized for performance**, including the single-piece, fully cast, drive and steer axles, which protect vital components from damage and contaminants. A unitized frame offers great rigidity for durable performance in tough applications. The drive axle uses a full-floating design to minimize shocks and stresses, easily handling the high loading requirements of the most challenging work environments. A heavy-duty counterweight grill is a standard feature on these trucks.

## Premium Performance

A wide array of option packages are available to maximize performance. Premium options such as the integrated side shifter are available for any model. The newly designed side shifter offers excellent lifting capacity while ensuring a clear view of the work area. Ask your Cat® lift truck dealer for more information.

## Heavy-Duty Mast

Heavy-duty masts are designed and manufactured for lasting, dependable performance. Narrow mast channels and the efficient positioning and routing of chains and hoses help ensure a clear view forward. The truck's low-profile counterweight design provides good visibility to the rear, even with an LP tank in place. The overhead guard cross bar has been eliminated through a design that optimizes strength while improving visibility.

## LED Front Work Lights And Rear Combination Lights

Modern LED lighting technology offers extended service life. Brilliant LED front work lights and rear combination lights are more durable than incandescent lights. The standard LED lights are packaged complete with guards.



# Customer Service



Cat Lift Trucks is committed to providing industry-leading customer service, delivered by experienced and reliable material handling dealers. We put customer needs first, with the most comprehensive customer support programs.

## Dealers You Can Depend On

With hundreds of dealer locations throughout North and South America, Cat lift truck dealers provide more than lift trucks. From flexible financing options, parts, service and product support, our dealers are unsurpassed, delivering superior customer service that sets us apart from the competition—before, during and after the sale.

Our dealers make available leading support programs with every new Cat lift truck you purchase, including:

- Genuine Cat lift truck OEM parts
- Planned Maintenance
- Total maintenance and repair
- Promatch® parts for all brands of lift trucks
- Rental fleet availability
- Convenient dealer branch locations

## Flexible Financing Options

Financing your next Cat lift truck is easy with our wide range of flexible leasing and purchasing options. Our industry-leading financing support can include:

- 12-Month interest free financing program
- 90-Day delayed payment program
- Factory subsidized lease rates
- Payment terms from 12-76 months
- Extended term, skip payment and early termination leases

Whether you want to finance or lease, your local Cat lift truck dealer can help customize a package tailored to your specific needs.

## Best Warranty In The Industry

We stand behind our products, giving you peace of mind by helping your trucks stay on the job, day after day. Every new Cat lift truck is covered by a two year unlimited hours warranty that includes parts and labor regardless of service hours. All components and systems, including hydraulic, electrical, cooling, brake, fuel, steering, exhaust, mast and operator controls are covered. Combined with our standard 3 year / 6,000 hour extended powertrain warranty, you'll have confidence and peace of mind that only comes from owning a Cat lift truck.

## First Planned Maintenance Free

Proper maintenance of your truck helps assure top performance over the long haul and helps extend truck longevity. That's why every Cat lift truck is backed by experienced and reliable dealers who make sure your truck is properly maintained. You'll experience this first hand because every new Cat lift truck gets its first planned maintenance completed by your local Cat lift truck dealer free of charge.



## Parts Fast Or Parts Free Guarantee

This program ensures next-business-day delivery of parts for all brands of lift trucks, or they are free, including freight. We've made this guarantee available specifically to the owner or primary user of any brand of lift truck to substantiate our pledge.

Orders must be placed through your local dealer by 5:00 p.m. Eastern Standard Time, and you must advise the dealer at the time of order that the part is to be expedited under the terms of the guarantee. If your part doesn't come in by the next business day, we pay for it. It's as simple as that.

There are some exclusions including parts over 100 lbs and paint, chemicals or lubricants that require special handling. Ask your dealer for a full list of terms and conditions for the Parts Fast or Parts Free Guarantee.

## Free Loaner Service Guarantee

If your lift truck is not repaired right the first time or within the quoted time, you can receive a free loaner truck until the repair is completed. This guarantee covers a wide range of lift truck makes and models. Ask your dealer for complete "Terms and Conditions" of this guarantee.

# Specifications

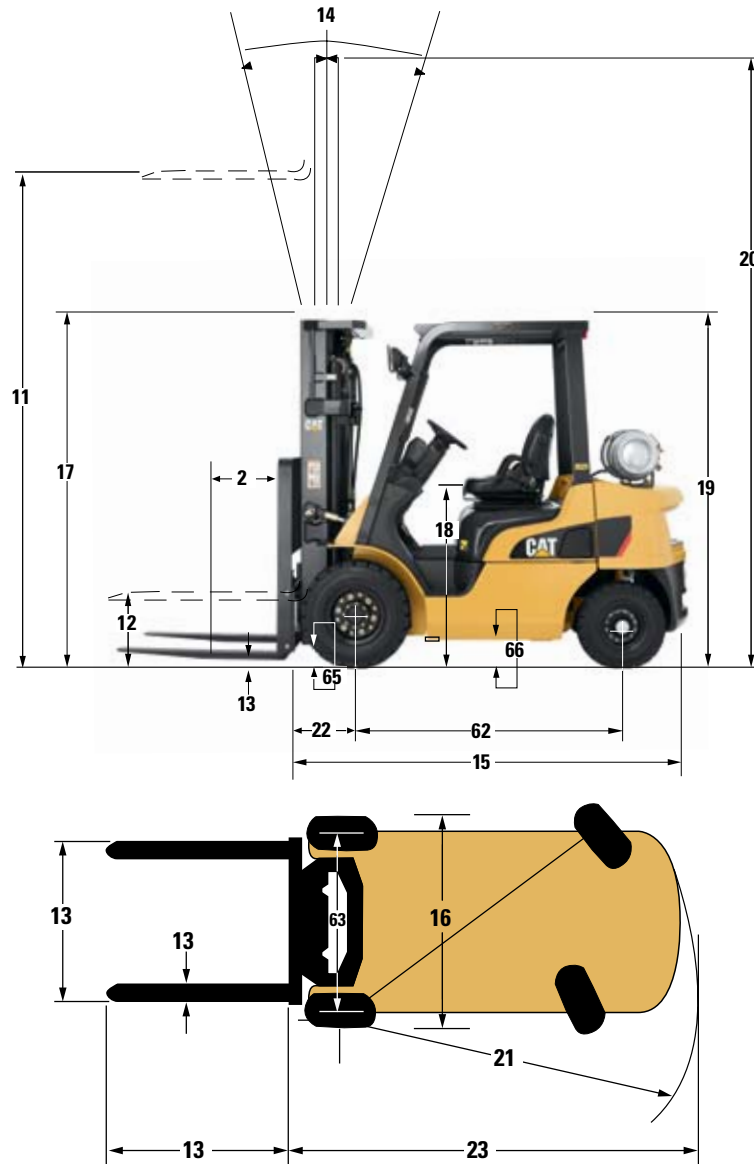
| Characteristics    |   |                                     |                          | P3000 |                           | P3500            |                           | PC4000           |                           |                  |       |
|--------------------|---|-------------------------------------|--------------------------|-------|---------------------------|------------------|---------------------------|------------------|---------------------------|------------------|-------|
| 1                  | Capacity  | at rated load center                | lb                       | kg    | 3,000                     | 1,500            | 3,500                     | 1,750            | 4,000                     | 2,000            |       |
| 2                  |   | at load center – distance           | in                       | mm    | 24.0                      | 500              | 24.0                      | 500              | 24.0                      | 500              |       |
| 3                  | Power   | electric, diesel, gasoline, LP gas  |                          |       | gasoline/LP gas           |                  | gasoline/LP gas           |                  | gasoline/LP gas           |                  |       |
| 4                  | Tire type   | cushion, pneumatic                  |                          |       | pneumatic                 |                  | pneumatic                 |                  | pneumatic                 |                  |       |
| 5                  | Wheels (x=driven)                                     | number front / rear                 |                          |       | 2x / 2                    |                  | 2x / 2                    |                  | 2x / 2                    |                  |       |
| Dimensions         |   |                                     |                          | P3000 |                           | P3500            |                           | PC4000           |                           |                  |       |
| 10                 | Lift  | maximum fork height with rated load | in                       | mm    | 162                       | 4,120            | 162                       | 4,120            | 162                       | 4,130            |       |
| 11                 | Lift with standard two-stage mast                     | maximum fork height                 | in                       | mm    | 130                       | 3,320            | 130                       | 3,320            | 131                       | 3,330            |       |
| 12                 |   | free fork height                    | in                       | mm    | 4.5                       | 115              | 4.5                       | 115              | 4.5                       | 115              |       |
| 13                 | Forks   | thickness x length x width          | in                       | mm    | 1.4 x 3.9 x 42            | 35 x 100 x 1,070 | 1.4 x 3.9 x 42            | 35 x 100 x 1,070 | 1.6 x 4 x 42              | 40 x 100 x 1,070 |       |
|                    | Fork spacing  | out-to out minimum / maximum        | in                       | mm    | 7.9 / 36.2                | 200 / 920        | 7.9 / 36.2                | 200 / 920        | 7.9 / 36.2                | 200 / 920        |       |
| 14                 | Tilt  | forward / backward                  | deg                      |       | 6° / 10°                  |                  | 6° / 10°                  |                  | 6° / 10°                  |                  |       |
| 15-20              | Overall Dimensions                                    | length to fork face                 | in                       | mm    | 89.0                      | 2,260            | 90.0                      | 2,295            | 92.5                      | 2,350            |       |
|                    |   | width                               | with standard tires      | in    | mm                        | 42.0             | 1,065                     | 42.0             | 1,065                     | 42.0             | 1,065 |
|                    |   |                                     | w/ optional duals        | in    | mm                        | N/A              | N/A                       | N/A              | N/A                       | N/A              | N/A   |
|                    |   | height                              | with lowered mast        | in    | mm                        | 84.5             | 2,140                     | 84.5             | 2,140                     | 84.5             | 2,140 |
|                    |   |                                     | seat height              | in    | mm                        | 38.0             | 959                       | 38.0             | 959                       | 38.0             | 959   |
|                    |   |                                     | to top of overhead guard | in    | mm                        | 83.0             | 2,100                     | 83.0             | 2,100                     | 83.0             | 2,100 |
| with extended mast | in  |                                     | mm                       | 180   | 4,550                     | 180              | 4,550                     | 180              | 4,550                     |                  |       |
| 21                 | Minimum outside turning radius                        | in                                  | mm                       | 77.0  | 1,950                     | 78.0             | 1,980                     | 79.5             | 2,020                     |                  |       |
| 22                 | Load moment constant                                  | in                                  | mm                       | 15.7  | 400                       | 15.7             | 400                       | 16.3             | 415                       |                  |       |
| 23                 | Minimum aisle – 90° stack – zero clearance w/out load | in                                  | mm                       | 96.5  | 2,450                     | 97.5             | 2,480                     | 100              | 2,540                     |                  |       |
| Performance        |   |                                     |                          | P3000 |                           | P3500            |                           | PC4000           |                           |                  |       |
| 40-42              | Speeds  | travel loaded / empty               | mph                      | km/h  | 11.0 / 12.0               | 17.5 / 19.0      | 11.0 / 11.5               | 17.5 / 19.0      | 11.0 / 11.5               | 18.0 / 18.5      |       |
|                    |   | lift speed loaded / empty           | fpm                      | mm/s  | 120 / 125                 | 620 / 630        | 120 / 125                 | 620 / 630        | 120 / 125                 | 620 / 630        |       |
|                    |   | lowering speed loaded / empty       | fpm                      | mm/s  | 98 / 98                   | 500 / 500        | 98 / 98                   | 500 / 500        | 98 / 98                   | 500 / 500        |       |
| 43                 | Drawbar pull  | loaded (60 min. rating)             | lb                       | N     | 3,575                     | 15,900           | 3,550                     | 15,700           | 3,450                     | 15,400           |       |
|                    |   | loaded maximum (5 min. rating)      | lb                       | N     | 4,125                     | 18,300           | 4,100                     | 18,200           | 4,000                     | 17,800           |       |
| 44                 | Gradeability  | loaded at 1 mph (1.6 km)            | %                        |       | 40.0                      |                  | 39.0                      |                  | 33.0                      |                  |       |
|                    |   | maximum loaded/empty                | %                        |       | 40.1 / 18.4               |                  | 39.7 / 16.0               |                  | 38.8 / 14.4               |                  |       |
| Weight             |   |                                     |                          | P3000 |                           | P3500            |                           | PC4000           |                           |                  |       |
| 50                 | Empty   |                                     | lb                       | kg    | 5,500                     | 2,500            | 6,000                     | 2,700            | 6,600                     | 3,000            |       |
| 51                 | Axle load   | with rated load front / rear (est.) | lb                       | kg    | 7,900 / 960               | 3,575 / 440      | 8,700 / 1,140             | 3,925 / 520      | 9,600 / 1,410             | 4,375 / 640      |       |
|                    |   | without load front / rear (est.)    | lb                       | kg    | 2,430 / 3,075             | 1,110 / 1,400    | 2,330 / 3,625             | 1,060 / 1,650    | 2,350 / 4,275             | 1,070 / 1,950    |       |
| Chassis            |   |                                     |                          | P3000 |                           | P3500            |                           | PC4000           |                           |                  |       |
| 60-61              | Tire size   | front, standard                     | in                       |       | 6.50 x 10-10PR            |                  | 6.50 x 10-10PR            |                  | 6.50 x 10/5.00 Solid      |                  |       |
|                    |   | front, optional duals               | in                       |       | N/A                       |                  | N/A                       |                  | N/A                       |                  |       |
|                    |   | rear                                | in                       |       | 5.0 x 8-8PR               |                  | 5.0 x 8-8PR               |                  | 5.00 x 8/3.00 Solid       |                  |       |
| 62                 | Wheel base  | in                                  | mm                       | 55.0  | 1,400                     | 55.0             | 1,400                     | 55.0             | 1,400                     |                  |       |
| 63-64              | Tread width   | front, standard tires               | in                       | mm    | 35.0                      | 889              | 35.0                      | 889              | 35.0                      | 889              |       |
|                    |   | front, optional duals               | in                       | mm    | NA                        | NA               | NA                        | NA               | NA                        | NA               |       |
|                    |   | rear tires                          | in                       | mm    | 35.5                      | 901              | 35.5                      | 901              | 35.5                      | 901              |       |
| 65-66              | Ground clearance                                      | at lowest point at mast             | in                       | mm    | 4.3                       | 110              | 4.3                       | 110              | 4.3                       | 110              |       |
|                    |   | at center of wheel base             | in                       | mm    | 5.9                       | 150              | 5.9                       | 150              | 5.9                       | 150              |       |
| 67-68              | Brakes  | service                             | type                     |       | foot-operated, hydraulic  |                  | foot-operated, hydraulic  |                  | foot-operated, hydraulic  |                  |       |
|                    |   | parking                             | type                     |       | hand-operated, mechanical |                  | hand-operated, mechanical |                  | hand-operated, mechanical |                  |       |
| Electrical         |   |                                     |                          | P3000 |                           | P3500            |                           | PC4000           |                           |                  |       |
| 80                 | Engine  | model                               |                          |       | K21                       |                  | K21                       |                  | K21                       |                  |       |
| 81                 |   | continuous output S.A.E. gross      | HP                       | kW    | 54.5                      | 41.0             | 54.5                      | 41.0             | 54.5                      | 41.0             |       |
|                    |   |                                     | at r.p.m.                |       | 2,875                     |                  | 2,875                     |                  | 2,875                     |                  |       |
| 82                 |   | maximum torque S.A.E. gross         | lb-ft                    | Nm    | 110                       | 150              | 110                       | 150              | 110                       | 150              |       |
|                    |   |                                     | at r.p.m.                |       | 1,600                     |                  | 1,600                     |                  | 1,600                     |                  |       |
| 83                 | cylinder / displacement                               | cu in                               | cm <sup>3</sup>          | 126   | 2,065                     | 126              | 2,065                     | 126              | 2,065                     |                  |       |
| 84-85              | Transmission  | type                                |                          |       | Powershift                |                  | Powershift                |                  | Powershift                |                  |       |
|                    |   | number of speeds forward / reverse  |                          |       | 1 / 1                     |                  | 1 / 1                     |                  | 1 / 1                     |                  |       |
| 86                 | Relief pressure                                       | for attachments at main             | psi                      | bar   | 2,625                     | 185              | 2,625                     | 185              | 2,625                     | 185              |       |
| 87                 | Noise level   | mean value at operator's ear Leq    | dB(A)                    |       | 73.5                      |                  | 73.5                      |                  | 73.5                      |                  |       |

**NOTE:** These specifications assume the use of drive axles, tires and tilt angles specified. Any modification to specifications, or any other combination of specifications made after the shipment of the truck, requires prior written approval from Mitsubishi Caterpillar Forklift America Inc. ("MCFA"). (See ANSI/ITSDF B56.1.) Also be advised that overall operating visibility may be affected by the mast configuration and mast options of your truck. Therefore, you may need to add ancillary [auxiliary] devices or modify your operating practices. Consult your dealer for further information.

| P4000                     |                  | P4000-D                   |                  | P5000                     |                  | P5000-D                   |                  | P5500                     |                  | P5500-D                   |                  |
|---------------------------|------------------|---------------------------|------------------|---------------------------|------------------|---------------------------|------------------|---------------------------|------------------|---------------------------|------------------|
| 4,000                     | 2,000            | 4,000                     | 2,000            | 5,000                     | 2,500            | 5,000                     | 2,500            | 5,500                     | 2,800            | 5,500                     | 2,800            |
| 24.0                      | 500              | 24.0                      | 500              | 24.0                      | 500              | 24.0                      | 500              | 24.0                      | 500              | 24.0                      | 500              |
| gasoline/LP gas           |                  | diesel                    |                  | gasoline/LP gas           |                  | diesel                    |                  | gasoline/LP gas           |                  | diesel                    |                  |
| pneumatic                 |                  | pneumatic                 |                  | pneumatic                 |                  | pneumatic                 |                  | pneumatic                 |                  | pneumatic                 |                  |
| 2x /2                     |                  | 2x /2                     |                  | 2x /2                     |                  | 2x /2                     |                  | 2x /2                     |                  | 2x /2                     |                  |
| P4000                     |                  | P4000-D                   |                  | P5000                     |                  | P5000-D                   |                  | P5500                     |                  | P5500-D                   |                  |
| 162                       | 4,140            | 162                       | 4,140            | 162                       | 4,140            | 162                       | 4,140            | 178                       | 4,540            | 178                       | 4,540            |
| 131                       | 3,340            | 131                       | 3,340            | 131                       | 3,340            | 131                       | 3,340            | 130                       | 3,310            | 130                       | 3,310            |
| 5.5                       | 140              | 5.5                       | 140              | 5.7                       | 145              | 5.7                       | 145              | 5.9                       | 150              | 5.9                       | 150              |
| 1.6 x 4 x 42              | 40 x 100 x 1,070 | 1.6 x 4 x 42              | 40 x 100 x 1,070 | 1.6 x 4 x 42              | 40 x 100 x 1,070 | 1.6 x 4 x 42              | 40 x 100 x 1,070 | 1.8 x 5 x 42              | 45 x 100 x 1,070 | 1.8 x 5 x 42              | 45 x 100 x 1,070 |
| 8.7 / 39.4                | 220 / 1,000      | 8.7 / 39.4                | 220 / 1,000      | 8.7 / 39.4                | 220 / 1,000      | 8.7 / 39.4                | 220 / 1,000      | 9.8 / 39.4                | 250 / 1,000      | 9.8 / 39.4                | 250 / 1,000      |
| 6° / 10°                  |                  | 6° / 10°                  |                  | 6° / 10°                  |                  | 6° / 10°                  |                  | 6° / 10°                  |                  | 6° / 10°                  |                  |
| 98.0                      | 2,490            | 98.0                      | 2,490            | 100                       | 2,550            | 100                       | 2,550            | 104                       | 2,645            | 104                       | 2,645            |
| 45.5                      | 1,150            | 45.5                      | 1,150            | 45.5                      | 1,150            | 45.5                      | 1,150            | 50.0                      | 1,275            | 50.0                      | 1,275            |
| 64.5                      | 1,640            | 64.5                      | 1,640            | 64.5                      | 1,640            | 64.5                      | 1,640            | 67.5                      | 1,715            | 67.5                      | 1,715            |
| 84.5                      | 2,140            | 84.5                      | 2,140            | 84.5                      | 2,140            | 84.5                      | 2,140            | 85.5                      | 2,170            | 81.0                      | 2,045            |
| 38.0                      | 968              | 38.0                      | 968              | 38.0                      | 968              | 38.0                      | 968              | 40.0                      | 1,018            | 40.0                      | 1,018            |
| 83.0                      | 2,105            | 83.0                      | 2,105            | 83.0                      | 2,105            | 83.0                      | 2,105            | 84.0                      | 2,125            | 84.0                      | 2,125            |
| 180                       | 4,570            | 180                       | 4,570            | 180                       | 4,570            | 180                       | 4,570            | 180                       | 4,540            | 180                       | 4,540            |
| 86.5                      | 2,200            | 86.5                      | 2,200            | 88.0                      | 2,230            | 88.0                      | 2,230            | 91.0                      | 2,315            | 91.0                      | 2,315            |
| 17.9                      | 455              | 17.9                      | 455              | 17.9                      | 455              | 17.9                      | 455              | 19.3                      | 490              | 19.3                      | 490              |
| 104.4                     | 2,655            | 104.4                     | 2,655            | 105.9                     | 2,685            | 105.9                     | 2,685            | 110.3                     | 2,805            | 110.3                     | 2,805            |
| P4000                     |                  | P4000-D                   |                  | P5000                     |                  | P5000-D                   |                  | P5500                     |                  | P5500-D                   |                  |
| 10.5 / 11.5               | 17.0 / 18.5      | 10.0 / 11.0               | 16.5 / 18.0      | 10.5 / 11.5               | 17.0 / 18.5      | 10.0 / 11.0               | 16.5 / 17.5      | 10.5 / 11.0               | 17.0 / 18.0      | 10.0 / 11.0               | 16.0 / 17.5      |
| 125 / 130                 | 630 / 650        | 120 / 125                 | 610 / 640        | 125 / 130                 | 630 / 650        | 120 / 125                 | 610 / 640        | 99 / 100                  | 500 / 520        | 96 / 100                  | 490 / 510        |
| 98 / 98                   | 500 / 500        | 98 / 98                   | 500 / 500        | 98 / 98                   | 500 / 500        | 98 / 98                   | 500 / 500        | 98 / 98                   | 500 / 500        | 98 / 98                   | 500 / 500        |
| 4,225                     | 18,800           | 4,000                     | 18,800           | 4,175                     | 18,600           | 3,950                     | 17,600           | 4,175                     | 18,500           | 3,900                     | 17,300           |
| 4,800                     | 21,300           | 4,475                     | 19,900           | 4,750                     | 21,100           | 4,425                     | 19,600           | 4,750                     | 21,100           | 4,350                     | 19,400           |
| 39.0                      |                  | 36.0                      |                  | 33.0                      |                  | 30.0                      |                  | 29.0                      |                  | 26.0                      |                  |
| 40.2 / 18.8               |                  | 40.4 / 18.7               |                  | 37.8 / 16.4               |                  | 34.2 / 16.4               |                  | 33.0 / 16.9               |                  | 29.7 / 16.9               |                  |
| P4000                     |                  | P4000-D                   |                  | P5000                     |                  | P5000-D                   |                  | P5500                     |                  | P5500-D                   |                  |
| 7,300                     | 3,300            | 7,500                     | 3,425            | 7,900                     | 3,600            | 8,100                     | 3,700            | 9,100                     | 4,125            | 9,300                     | 4,225            |
| 10,200 / 1,450            | 4,650 / 660      | 10,300 / 1,590            | 4,700 / 720      | 12,000 / 1,470            | 5,400 / 670      | 12,100 / 1,620            | 5,500 / 740      | 13,400 / 1,700            | 6,100 / 770      | 13,500 / 1,840            | 6,100 / 840      |
| 3,200 / 4,075             | 1,460 / 1,850    | 3,300 / 4,225             | 1,500 / 1,920    | 3,175 / 4,775             | 1,440 / 2,170    | 3,250 / 4,925             | 1,480 / 2,230    | 3,650 / 5,400             | 1,660 / 2,460    | 3,725 / 5,600             | 1,700 / 2,530    |
| P4000                     |                  | P4000-D                   |                  | P5000                     |                  | P5000-D                   |                  | P5500                     |                  | P5500-D                   |                  |
| 7.0 x 12-12PR             |                  | 7.0 x 12-12PR             |                  | 7.0 x 12-12PR             |                  | 7.0 x 12-12PR             |                  | 28 x 9 x 15-12PR          |                  | 28 x 9-15-12PR            |                  |
| 7.0 x 12-12PR             |                  | 7.0 x 12-12PR             |                  | 7.0 x 12-12PR             |                  | 7.0 x 12-12PR             |                  | 28 x 9 x 15-12PR          |                  | 28 x 9-15-12PR            |                  |
| 6.00 x 9-10PR             |                  | 6.00 x 9-10PR             |                  | 6.00 x 9-10PR             |                  | 6.00 x 9-10PR             |                  | 6.50 x 10-10PR            |                  | 6.50 x 10-10PR            |                  |
| 63.0                      | 1,600            | 63.0                      | 1,600            | 63.0                      | 1,600            | 63.0                      | 1,600            | 64.0                      | 1,620            | 64.0                      | 1,620            |
| 38.0                      | 961              | 38.0                      | 961              | 38.0                      | 961              | 38.0                      | 961              | 42.0                      | 1,061            | 42.0                      | 1,061            |
| 47.5                      | 1,205            | 47.5                      | 1,205            | 47.5                      | 1,205            | 47.5                      | 1,205            | 47.5                      | 1,201            | 47.5                      | 1,201            |
| 38.5                      | 978              | 38.5                      | 978              | 38.5                      | 978              | 38.5                      | 978              | 38.5                      | 981              | 38.5                      | 981              |
| 4.6                       | 117              | 4.6                       | 117              | 4.6                       | 117              | 4.6                       | 117              | 5.4                       | 136              | 5.4                       | 136              |
| 6.3                       | 159              | 6.3                       | 159              | 6.3                       | 159              | 6.3                       | 159              | 7.0                       | 178              | 7.0                       | 178              |
| foot-operated, hydraulic  |                  | foot-operated, hydraulic  |                  | foot-operated, hydraulic  |                  | foot-operated, hydraulic  |                  | foot-operated, hydraulic  |                  | foot-operated, hydraulic  |                  |
| hand-operated, mechanical |                  | hand-operated, mechanical |                  | hand-operated, mechanical |                  | hand-operated, mechanical |                  | hand-operated, mechanical |                  | hand-operated, mechanical |                  |
| P4000                     |                  | P4000-D                   |                  | P5000                     |                  | P5000-D                   |                  | P5500                     |                  | P5500-D                   |                  |
| K25                       |                  | S4S                       |                  | K25                       |                  | S4S                       |                  | K25                       |                  | S4S                       |                  |
| 63.0                      | 46.9             | 59.0                      | 44.1             | 63.0                      | 46.9             | 59.0                      | 44.1             | 63.0                      | 46.9             | 59.0                      | 44.1             |
| 2,700                     |                  | 2,300                     |                  | 2,700                     |                  | 2,300                     |                  | 2,700                     |                  | 2,300                     |                  |
| 139                       | 188              | 135                       | 183              | 139                       | 188              | 135                       | 183              | 139                       | 188              | 135                       | 183              |
| 1,600                     |                  | 1,800                     |                  | 1,600                     |                  | 1,800                     |                  | 1,600                     |                  | 1,800                     |                  |
| 152                       | 2,490            | 203                       | 3,330            | 152                       | 2,490            | 203                       | 3,330            | 152                       | 2,490            | 203                       | 3,330            |
| Powershift                |                  | Powershift                |                  | Powershift                |                  | Powershift                |                  | Powershift                |                  | Powershift                |                  |
| 1 / 1                     |                  | 1 / 1                     |                  | 1 / 1                     |                  | 1 / 1                     |                  | 1 / 1                     |                  | 1 / 1                     |                  |
| 2,625                     | 185              | 2,625                     | 185              | 2,625                     | 185              | 2,625                     | 185              | 2,625                     | 185              | 2,625                     | 185              |
| 76.5                      |                  | 75.5                      |                  | 76.5                      |                  | 75.5                      |                  | 76.5                      |                  | 75.5                      |                  |

| P6000                     |                  | P6000-D                   |                  | P6500                     |                  | P6500-D                   |                  | P7000                     |                  | P7000-D                   |                  |
|---------------------------|------------------|---------------------------|------------------|---------------------------|------------------|---------------------------|------------------|---------------------------|------------------|---------------------------|------------------|
| 6,000                     | 3,000            | 6,000                     | 3,000            | 6,500                     | 3,300            | 6,500                     | 3,300            | 7,000                     | 3,500            | 7,000                     | 3,500            |
| 24.0                      | 500              | 24.0                      | 500              | 24.0                      | 500              | 24.0                      | 500              | 24.0                      | 500              | 24.0                      | 500              |
| gasoline/LP gas           |                  | diesel                    |                  | gasoline/LP gas           |                  | diesel                    |                  | gasoline/LP gas           |                  | diesel                    |                  |
| pneumatic                 |                  | pneumatic                 |                  | pneumatic                 |                  | pneumatic                 |                  | pneumatic                 |                  | pneumatic                 |                  |
| 2x / 2                    |                  | 2x / 2                    |                  | 2x / 2                    |                  | 2x / 2                    |                  | 2x / 2                    |                  | 2x / 2                    |                  |
| P6000                     |                  | P6000-D                   |                  | P6500                     |                  | P6500-D                   |                  | P7000                     |                  | P7000-D                   |                  |
| 171                       | 4,360            | 171                       | 4,360            | 179                       | 4,550            | 179                       | 4,550            | 179                       | 4,550            | 179                       | 4,550            |
| 130                       | 3,310            | 130                       | 3,310            | 131                       | 3,350            | 131                       | 3,350            | 131                       | 3,350            | 131                       | 3,350            |
| 5.9                       | 150              | 5.9                       | 150              | 5.9                       | 150              | 5.9                       | 150              | 5.9                       | 150              | 5.9                       | 150              |
| 1.8 x 5 x 42              | 45 x 100 x 1,070 | 1.8 x 5 x 42              | 45 x 100 x 1,070 | 2 x 5 x 42                | 50 x 125 x 1,070 | 2 x 5 x 42                | 50 x 125 x 1,070 | 2 x 5 x 42                | 50 x 125 x 1,070 | 2 x 5 x 42                | 50 x 125 x 1,070 |
| 9.8 / 39.4                | 250 / 1,000      | 9.8 / 39.4                | 250 / 1,000      | 9.8 / 39.4                | 250 / 1,000      | 9.8 / 39.4                | 250 / 1,000      | 9.8 / 39.4                | 250 / 1,000      | 9.8 / 39.4                | 250 / 1,000      |
| 6° / 10°                  |                  | 6° / 10°                  |                  | 6° / 10°                  |                  | 6° / 10°                  |                  | 6° / 10°                  |                  | 6° / 10°                  |                  |
| 107                       | 2,720            | 107                       | 2,720            | 108                       | 2,750            | 108                       | 2,750            | 110                       | 2,790            | 110                       | 2,790            |
| 50.0                      | 1,275            | 50.0                      | 1,275            | 50.0                      | 1,275            | 50.0                      | 1,275            | 51.0                      | 1,290            | 51.0                      | 1,290            |
| 67.5                      | 1,715            | 67.5                      | 1,715            | 67.5                      | 1,715            | 67.5                      | 1,715            | 67.5                      | 1,715            | 67.5                      | 1,715            |
| 85.5                      | 2,170            | 85.5                      | 2,170            | 85.5                      | 2,170            | 85.5                      | 2,170            | 91.0                      | 2,300            | 91.0                      | 2,500            |
| 40.0                      | 1,018            | 40.0                      | 1,018            | 40.0                      | 1,018            | 40.0                      | 1,018            | 40.0                      | 1,018            | 40.0                      | 1,018            |
| 84.0                      | 2,125            | 84.0                      | 2,125            | 84.0                      | 2,125            | 84.0                      | 2,125            | 84.5                      | 2,140            | 84.5                      | 2,140            |
| 179                       | 4,540            | 179                       | 4,540            | 180                       | 4,540            | 180                       | 4,540            | 180                       | 4,570            | 180                       | 4,570            |
| 94.0                      | 2,380            | 94.0                      | 2,380            | 96.0                      | 2,430            | 96.0                      | 2,430            | 96.0                      | 2,440            | 96.0                      | 2,440            |
| 19.3                      | 490              | 19.3                      | 490              | 19.3                      | 490              | 19.3                      | 490              | 19.3                      | 490              | 19.3                      | 490              |
| 113.3                     | 2,870            | 113.3                     | 2,870            | 115.3                     | 2,920            | 115.3                     | 2,920            | 115.3                     | 2,930            | 115.3                     | 2,930            |
| P6000                     |                  | P6000-D                   |                  | P6500                     |                  | P6500-D                   |                  | P7000                     |                  | P7000-D                   |                  |
| 10.5 / 11.0               | 17.0 / 18.0      | 10.0 / 11.0               | 16.0 / 17.5      | 11.0 / 11.5               | 17.5 / 18.5      | 10.5 / 11.5               | 16.5 / 18.0      | 11.0 / 11.5               | 17.5 / 18.5      | 10.0 / 11.5               | 16.5 / 18.0      |
| 99 / 100                  | 500 / 520        | 96 / 100                  | 490 / 510        | 99 / 100                  | 500 / 520        | 96 / 100                  | 490 / 510        | 83 / 86                   | 420 / 440        | 80 / 85                   | 410 / 430        |
| 98 / 98                   | 500 / 500        | 98 / 98                   | 500 / 500        | 98 / 98                   | 500 / 500        | 98 / 98                   | 500 / 500        | 98 / 98                   | 500 / 500        | 98 / 98                   | 500 / 500        |
| 4,150                     | 18,400           | 3,875                     | 17,200           | 3,975                     | 17,700           | 3,700                     | 16,400           | 3,950                     | 17,600           | 3,675                     | 16,300           |
| 4,725                     | 21,000           | 4,325                     | 19,300           | 4,500                     | 20,100           | 4,134                     | 18,400           | 4,489                     | 20,000           | 4,110                     | 18,300           |
| 27.0                      |                  | 25.0                      |                  | 23.7                      |                  | 21.7                      |                  | 22.5                      |                  | 20.6                      |                  |
| 30.9 / 17.3               |                  | 27.7 / 17.3               |                  | 27.1 / 17.3               |                  | 24.3 / 17.3               |                  | 25.8 / 14.8               |                  | 23.2 / 14.9               |                  |
| P6000                     |                  | P6000-D                   |                  | P6500                     |                  | P6500-D                   |                  | P7000                     |                  | P7000-D                   |                  |
| 9,300                     | 4,250            | 9,600                     | 4,350            | 10,000                    | 4,575            | 10,300                    | 4,675            | 10,200                    | 4,650            | 10,500                    | 4,775            |
| 14,300 / 1,670            | 6,500 / 760      | 14,400 / 1,810            | 6,500 / 820      | 15,100 / 2,130            | 6,900 / 970      | 15,200 / 2,270            | 6,900 / 1,030    | 15,900 / 2,060            | 7,200 / 930      | 16,000 / 2,200            | 7,300 / 1,000    |
| 3,825 / 5,500             | 1,730 / 2,525    | 3,900 / 5,700             | 1,780 / 2,575    | 3,750 / 6,300             | 1,700 / 2,875    | 3,825 / 6,400             | 1,740 / 2,925    | 3,675 / 6,600             | 1,670 / 2,975    | 3,775 / 6,700             | 1,720 / 3,050    |
| P6000                     |                  | P6000-D                   |                  | P6500                     |                  | P6500-D                   |                  | P7000                     |                  | P7000-D                   |                  |
| 28 x 9-15-12PR            |                  | 28 x 9-15-12PR            |                  | 28 x 9-15-12PR            |                  | 28 x 9-15-12PR            |                  | 250 x 15-16PR             |                  | 250 x 15-16PR             |                  |
| 28 x 9-15-12PR            |                  | 28 x 9-15-12PR            |                  | 28 x 9-15-12PR            |                  | 28 x 9-15-12PR            |                  | 250 x 15-16PR             |                  | 250 x 15-16PR             |                  |
| 6.50 x 10-10PR            |                  | 6.50 x 10-10PR            |                  | 6.50 x 10-10PR            |                  | 6.50 x 10-10PR            |                  | 6.50 x 10-12PR            |                  | 6.50 x 10-12PR            |                  |
| 67.0                      | 1,700            | 67.0                      | 1,700            | 67.0                      | 1,700            | 67.0                      | 1,700            | 67.0                      | 1,700            | 67.0                      | 1,700            |
| 42.0                      | 1,061            | 42.0                      | 1,061            | 42.0                      | 1,061            | 42.0                      | 1,061            | 42.0                      | 1,061            | 42.0                      | 1,061            |
| 47.5                      | 1,201            | 47.5                      | 1,201            | 47.5                      | 1,201            | 47.5                      | 1,201            | 47.5                      | 1,201            | 47.5                      | 1,201            |
| 38.5                      | 981              | 38.5                      | 981              | 38.5                      | 981              | 38.5                      | 981              | 38.5                      | 981              | 38.5                      | 981              |
| 5.4                       | 136              | 5.4                       | 136              | 5.4                       | 136              | 5.4                       | 136              | 5.4                       | 136              | 5.4                       | 136              |
| 7.0                       | 178              | 7.0                       | 178              | 7.0                       | 178              | 7.0                       | 178              | 7.0                       | 178              | 7.0                       | 178              |
| foot-operated, hydraulic  |                  | foot-operated, hydraulic  |                  | foot-operated, hydraulic  |                  | foot-operated, hydraulic  |                  | foot-operated, hydraulic  |                  | foot-operated, hydraulic  |                  |
| hand-operated, mechanical |                  | hand-operated, mechanical |                  | hand-operated, mechanical |                  | hand-operated, mechanical |                  | hand-operated, mechanical |                  | hand-operated, mechanical |                  |
| P6000                     |                  | P6000-D                   |                  | P6500                     |                  | P6500-D                   |                  | P7000                     |                  | P7000-D                   |                  |
| K25                       |                  | S4S                       |                  | K25                       |                  | S4S                       |                  | K25                       |                  | S4S                       |                  |
| 63.0                      | 46.9             | 59.0                      | 44.1             | 63.0                      | 46.9             | 59.0                      | 44.1             | 63.0                      | 46.9             | 59.0                      | 44.1             |
| 2,700                     |                  | 2,300                     |                  | 2,700                     |                  | 2,300                     |                  | 2,700                     |                  | 2,300                     |                  |
| 139                       | 188              | 135                       | 183              | 139                       | 188              | 135                       | 183              | 139                       | 188              | 135                       | 183              |
| 1,600                     |                  | 1,800                     |                  | 1,600                     |                  | 1,800                     |                  | 1,600                     |                  | 1,800                     |                  |
| 152                       | 2,490            | 203                       | 3,330            | 152                       | 2,490            | 203                       | 3,330            | 152                       | 2,490            | 203                       | 3,330            |
| Powershift                |                  | Powershift                |                  | Powershift                |                  | Powershift                |                  | Powershift                |                  | Powershift                |                  |
| 1 / 1                     |                  | 1 / 1                     |                  | 1 / 1                     |                  | 1 / 1                     |                  | 1 / 1                     |                  | 1 / 1                     |                  |
| 2,625                     | 185              | 2,625                     | 185              | 2,625                     | 185              | 2,625                     | 185              | 2,625                     | 185              | 2,625                     | 185              |
| 76.5                      |                  | 75.5                      |                  | 76.5                      |                  | 75.5                      |                  | 76.5                      |                  | 75.5                      |                  |

Call-out numbers shown in the diagram correspond to the first column of the specifications chart.



## Safety Standards

These trucks meet American National Standards Institute/Industrial Truck Standards Development Foundation, ANSI/ITSDF B56.1.

UL-Classified by Underwriters Laboratories, Inc., as to fire and electric shock hazard only. Availability: Types G, LP and D standard. Types GS, LPS and DS optional. Users should be aware of, and adhere to, applicable codes and regulations regarding operator training, use, operation, and maintenance of powered industrial trucks, including:

- ANSI/ITSDF B56.1.
- NFPA 505, fire safety standard for powered industrial trucks - type designations, areas of use, maintenance and operation.
- Occupational Safety and Health Administration (OSHA) regulations that may apply.

Contact your Cat lift truck dealer for further information including operator training programs and auxiliary visual and audible warning systems, fire extinguishers, etc., as available for specific user applications and requirements. Specifications, equipment, technical data, photos and illustrations based on information at time of printing and subject to change without notice. Some products may be shown with optional equipment.



**Quality**

**Reliability**

**Customer Service**

Experienced professionals at our dealerships and on our National Accounts Team can assist you with your lift truck purchase or lease. Your Cat lift truck dealer can provide options and additional visual and audible warning devices geared toward your specific requirements. Operator training programs are also available to boost productivity and to help reduce the potential for product damage and personal injury.



## **Internal Combustion Pneumatic Tire Lift Trucks**

Capacity: 3,000-7,000 lb

**CAT**® Lift Trucks

Copyright © 2008 by MCFA. All rights reserved. CAT, CATERPILLAR, their respective logos, "Caterpillar Yellow" and the POWER EDGE trade dress, as well as corporate and product identity used herein, are trademarks of Caterpillar and may not be used without permission. All registered trademarks are the property of their respective owners. Some products may be shown with optional equipment. Printed in U.S.A.

CECV0014

02/08

**1-800-CAT-LIFT**

**[www.cat-lift.com](http://www.cat-lift.com)**